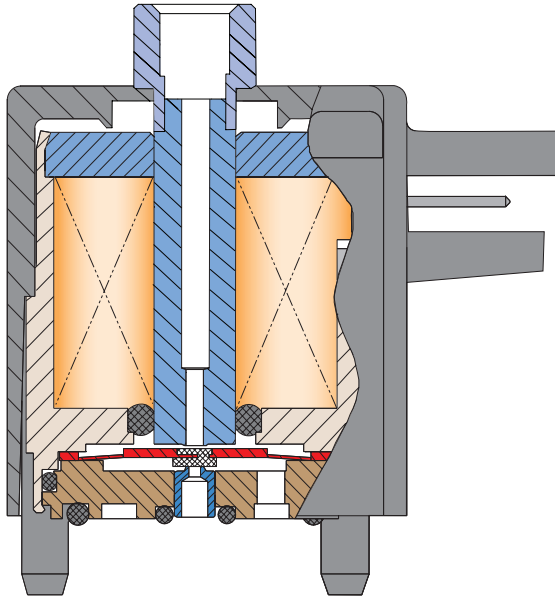


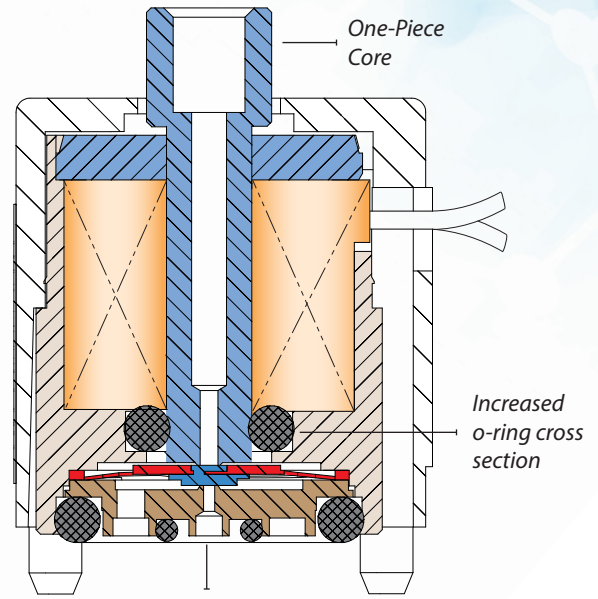
Clippard

ES SERIES ORIGINAL VS. NEW DESIGN COMPARISON

Original



Improved & Optimized



| | |
|---------------------------|--------------------------------------------------------------------------|
| Medium | Clean, dry air and compatible gases (40 micron filter) |
| Wattage | 1 watt at rated voltage |
| Valve Type | 2-Way Bi-Directional or 3-Way Normally-Closed & Universally Ported |
| Operating Pressure | 28" Hg Vac to 105 psig |
| Voltage Tolerance | 90 to 120% of rated voltage |
| Response Time | 5 to 10 ms (nominal) |
| Voltage | 12 VDC or 24 VDC |
| Ports | Inlet and outlet through manifold 3-Way: Exhaust through top of valve |
| Material, Seals | Nitrile standard; FKM and EPDM available |
| More Details | clippard.com/link/es |

- The ES Line is now **IMPROVED!**
- The mounting dimensions are **NOT CHANGING**.
- The published specifications are **NOT CHANGING**.
- The o-rings are **CHANGING** to reduce leak points.
- The manufacturing and assembly processes are **CHANGING** to provide a better, more efficient valve.
- The exterior color is **CHANGING** for a cleaner, updated look!
- The mounting screws are **CHANGING** from Phillips to Torx.

